

# **Solar container revenue sector analysis report**





## Overview

---

Download a free sample report to explore data scope, segmentation, Table of Content and analysis before you make a decision. The Solar Container Market was valued at USD 2.8 billion in 2024 and is projected to reach USD 7.9 billion by 2034, registering a CAGR of 10.9%. The global solar container market is projected to reach a valuation of approximately USD 1.5 billion by 2033, growing at a compound annual growth rate (CAGR) of 8.2% from 2025 to 2033. This growth is primarily driven by the increasing demand for sustainable and portable energy solutions. The Solar Container market size, estimations, and forecasts are provided in terms of output/shipments (Units) and revenue (\$ millions), considering 2023 as the base year, with history and forecast data for a?

| This report offers a comprehensive overview of the solar container power systems market. The global solar container market is expected to grow from USD 0.29 billion in 2025 to USD 0.83 million by 2030, at a CAGR of 23.8% during the forecast period. Growth is driven by the rising adoption of off-grid and hybrid power solutions, especially in remote, disaster-prone, and developing. The global market for Solar Container was valued at US\$ million in the year 2024 and is projected to reach a revised size of US\$ million by 2031, growing at a CAGR of %during the forecast period. China has implemented the Renewable Energy Law since 2006, in which Article 4 clearly states that, the. Solar Container Market report includes region like North America (U.S, Canada, Mexico), Europe (Germany, United Kingdom, France), Asia (China, Korea, Japan, India), Rest of MEA And Rest of World. Solar Container Market size was valued at USD 1.5 Billion in 2024 and is projected to reach USD 5.2. Download a free sample report to explore data scope, segmentation, Table of Content and analysis before you make a decision. The Solar Container Market was valued at USD 2.8 billion in 2024 and is projected to reach USD 7.9 billion by 2034, registering a CAGR of 10.9%. This growth trajectory.



## Solar container revenue sector analysis report

---



### Solar Container Market Size, Future Growth and Forecast 2033

The global solar container market is projected to reach a valuation of approximately USD 1.5 billion by 2033, growing at a compound annual growth rate (CAGR) of 8.2% from 2025 to 2033.

### Solar Container Market Size, Growth & Opportunity Overview ...

The Solar Container Market size is expected to reach USD 7.9 billion in 2034 growing at a CAGR of 10.9. Focused on Solar Container Market size, segmentation, consumer behavior, demand ...



### Solar Container

The global Solar Container market size is expected to reach US\$ million by 2029, growing at a CAGR of % from 2023 to 2029. The market is mainly driven by the significant applications of Solar Container in ...

### Market Demand and Revenue Growth for Containers for Food and ...

The "Containers for Food and Beverage Sector Market Analysis Report" offers a comprehensive and current examination of the market,



encompassing crucial metrics, market ...

114KWh ESS



### Mobile Solar Container Report 2025: Growth Driven by Government

Discover the booming mobile solar container market! This comprehensive analysis reveals a projected \$7 billion market by 2033, driven by renewable energy adoption, off-grid power needs, ...



### Solar container Market: trends & opportunities 2035

Solar Container Market Size was estimated at 435.35 (USD Billion) in 2023. The Solar Container Market Industry is expected to grow from 556.24 (USD Billion) in 2024 to 3950.49 (USD Billion) by 2032.



### Solar Container Market Size, Share and Growth Drivers ...

The global Solar Container Market size was estimated at USD 0.22 billion in 2024 and is predicted to increase from USD 0.29 billion in 2025 to approximately USD ...





## Solar Container Market Size, Share and Growth Drivers 2030

Over the next 4-5 years, companies' revenue mix will shift from traditional off-grid solar systems to smart, modular, and hybrid containerized solutions.



## Global Solar Container Market Research Report 2025

This report segments the global Solar Container market comprehensively. Regional market sizes, concerning products by Type, by Application, and by players, are also provided.

## FINANCIAL ANALYSIS REPORT OF SOLAR CONTAINER ...

This report empowers stakeholders to capitalize on emerging a?, Type Analysis The tank container market is broadly categorized into refrigerated and non-refrigerated types, each catering to specific ...



- IP65/IP55 OUTDOOR CABINET
- OUTDOOR MODULE CABINET
- OUTDOOR 5G BASE STATION CABINET
- WATERPROOF



## Solar Market Insight Report Q3 2025 - SEIA

The solar industry is navigating several other federal policy actions. On July 15, the Department of the Interior issued a memo stating that Interior Secretary Doug Burgum will need to ...



## Global Solar Container Market 2024 by Manufacturers, Regions, Type ...

Company Analysis: Report covers individual Solar Container manufacturers, suppliers, and other relevant industry players. This analysis includes studying their financial performance, market ...



## Global Solar Container Market Insights, Forecast to 2030

This report focuses on the Solar Container sales, revenue, market share and industry ranking of main manufacturers, data from 2019 to 2024. Identification of the major stakeholders in the global Solar ...

## Global Solar Container Industry Research Report, Growth Trends and

As part of production analysis, the authors of the report have provided reliable estimations and calculations for global revenue and volume by type segment of the global Solar Container market.



## Solar Container Market Analysis and Revenue Forecast with 8.7

New Jersey, USA - Solar Container market is estimated to reach USD xx Billion by 2024. It is anticipated that the revenue will experience a compound annual growth rate (CAGR 2025-2031) of xx



## Solar Container Market Size, Market Assessment & Forecast 2033

Discover comprehensive analysis on the Solar Container Market, expected to grow from USD 1.5 billion in 2024 to USD 5.2 billion by 2033 at a CAGR of 15.5%. Uncover critical growth factors, market ...



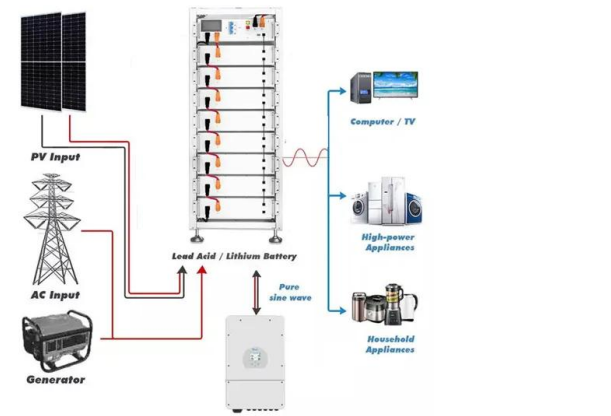
## Solar Container Market Size, Future Growth and Forecast ...

The global solar container market is projected to reach a valuation of approximately USD 1.5 billion by 2033, growing at a compound annual growth rate (CAGR) of 8.2% from 2025 to 2033.



## Mobile Solar Container Report 2025: Growth Driven by Government

Competitive landscape analysis reveals a diverse range of players, including established energy companies and specialized mobile solar providers. These companies are constantly ...



## Global Solar Container Market Research Report 2024

The global Solar Container market was valued at US\$ million in 2023 and is anticipated to reach US\$ million by 2030, witnessing a CAGR of % during the forecast period 2024-2030.



## Solar Container Market Size, Growth & Opportunity Overview ...

Download a free sample report to explore data scope, segmentation, Table of Content and analysis before you make a decision. The Solar Container Market was valued at USD 2.8 billion in ...



## Solar Container Market Report , Global Forecast From 2025 To 2033

The solar container market is segmented into three major types: Off-Grid, On-Grid, and Hybrid. Each of these types caters to different energy needs and scenarios, providing tailored solutions for various ...

## Shipping Container Market Size, Share & Growth Report by 2033

The global shipping container market size is projected to grow from USD 11.07 billion in 2025 to USD 15.27 billion by 2033, exhibiting a CAGR of 4.1%.



## Solar Container Market Size, Share, Trends , Report 2035

Solar Container Market to Grow CAGR of 19.38% By 2035, by driving industry size, share, top company analysis, segments research, trends and forecast report 2025 to 2035.



## Shipping Container Market Size, Report, Share, Industry Analysis

The global shipping container market size stood at USD\$ 7.5 billion in 2024 and is projected to reach USD\$ 10.7 billion by 2032, advancing at a 4.05% CAGR.



## Global Solar Container Sales Market Report, Competitive Analysis ...

Chapter 3: Detailed analysis of Solar Container manufacturers competitive landscape, sales, revenue, price, market share and industry ranking, latest development plan, merger, and acquisition ...

## Solar Container Market Share, Growth, Future Prospects, Forecast to ...

The Report Covers Market value data analysis of 2024 and forecast to 2035. Annualized market revenues (\$ million) for each market segment. Country-wise analysis of major geographical regions. ...



## Mobile Solar Container Industry Analysis and Consumer Behavior

The global mobile solar container market is experiencing robust growth, driven by increasing demand for reliable and portable power solutions across diverse sectors. The market's ...



## Solar Container Market Demand Makes Room for New Growth Story

Curious to know about market share of key-players or Sales volumes or revenues of Solar Container Market further segmented by type, application and important regions.: HTF MI brings ...



## Photovoltaic Module Solar Container Insights: Market Size Analysis to ...

Discover the booming photovoltaic module solar container market! This comprehensive analysis reveals key trends, growth drivers, and regional market share projections from 2025 to ...

## Photovoltaic Module Solar Container Market Strategies for the Next

The global photovoltaic module solar container market is experiencing robust growth, driven by the increasing demand for clean and sustainable energy solutions across residential, ...



- LIQUID/AIR COOLING
- ON GRID/HYBRID
- PROTECTION IP54/IP55
- BATTERY /6000 CYCLES

## Solar Container Market worth \$0.83 billion by 2030

/PRNewswire/ -- The solar container market is projected to reach USD 0.83 billion by 2030 from USD 0.29 billion in 2025, registering a CAGR of 23.8% during the



## Contact Us

---

For catalog requests, pricing, or partnerships, please visit:  
<https://crossworldtours.co.za>