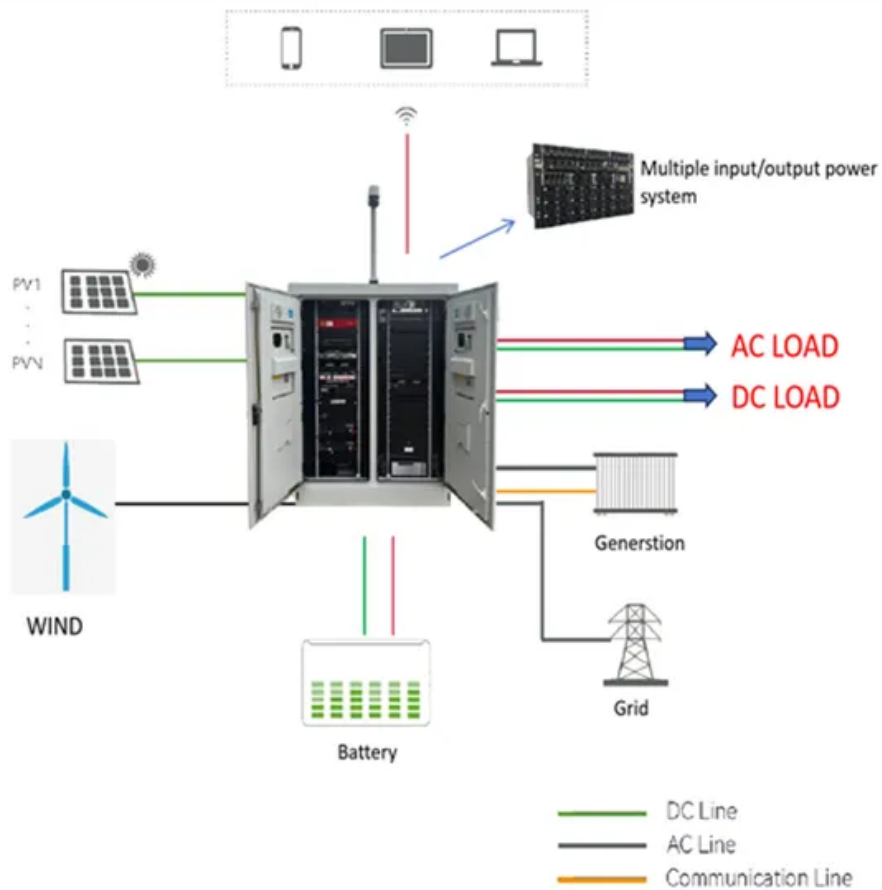


# Solar container capacitor design and calculation





## Solar container capacitor design and calculation

---

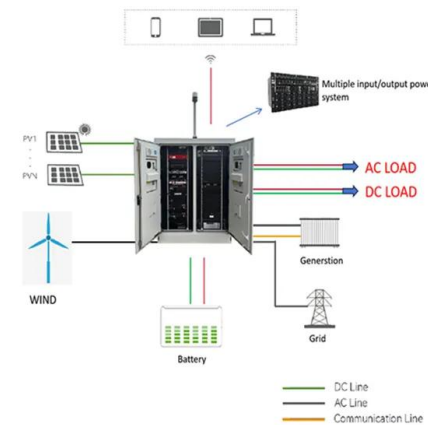


### 1MW Battery Energy Storage System

MEGATRONS 1MW Battery Energy Storage System is the ideal fit for AC coupled grid and commercial applications. Utilizing Tier 1 280Ah LFP battery cells, each BESS is designed for a install friendly ...

### Cooling Load Calculations and Principles

This course provides a procedure for preparing a manual calculation for cooling load. A number of published methods, tables and charts from industry handbooks, manufacturer's engineering data and ...



### Super capacitor storage

I have been very impressed with super capacitors in my electrical engineering experience. I would like to explore the cost effectiveness of building a super capacitor bank for energy storage to ...

### Solar energy , Definition, Uses, Examples, Advantages

Solar energy is radiation from the Sun that is capable of producing heat, causing chemical reactions, or generating electricity. The total amount of solar energy incident on Earth is ...



### Solar Energy - SEIA

Solar power is energy from the sun that is converted into thermal or electrical energy. Solar energy is the cleanest and most abundant renewable energy source available, and the U.S. has some of the ...



### The Design and Analysis of Large Solar PV Farm Configurations ...

Abstract--Typically, solar inverters curtail or "clip" the available power from the PV system when it exceeds the maximum ac capacity. This paper discusses a battery system connected to the dc-link ...



### Solar Energy Basics , NREL

Solar energy is a powerful source of energy that can be used to heat, cool, and power our homes and businesses. More energy from the sun falls on the Earth in one hour than is used by ...



## Harmonic Filter & Power Capacitor Bank Application Studies

The engineering evaluation described in this document is centered on the design, specification, and system impact of new and/or existing capacitor banks and harmonic filter banks and the installation ...



## Solar Cold Rooms Technical Handbook

In the case of walk-in cold rooms, many topics have been covered in great detail in the wealth of technical literature available. However, for those readers who are new to the subject, the available ...

## Selecting Capacitors for Inverter Applications

Abstract - For years design engineers have chosen electrolytic capacitor technology for use as the bus link capacitor on inverter designs. The main attraction has always been the low cost per farad ...



## Battery Energy Storage System (BESS) Solution ...

All-in-One Industrial & Commercial Solar Battery PKENERGY offers design services for battery energy storage systems with capacities ranging from 100kWh to ...



## Contact Us

---

For catalog requests, pricing, or partnerships, please visit:  
<https://crossworldtours.co.za>