

Development trend and necessity of solar container construction





Overview

With growing demand for decentralized renewable power and clean energy access, the solar container industry is poised for strong growth, driven by advancements in hybrid storage systems, portability, and rapid deployment capabilities, enabling cost-effective and sustainable. The solar container market is expected to grow rapidly in the coming years. According to MarketsandMarkets, the market size will rise from about \$0.29 billion in 2025 to around \$0.83 billion by 2030 (a CAGR of ~23.8%). This surge is driven by a growing need for portable off-grid power in remote and. The global solar container market is expected to grow from USD 0.29 billion in 2025 to USD 0.83 million by 2030, at a CAGR of 23.8% during the forecast period. Growth is driven by the rising adoption of off-grid and hybrid power solutions, especially in remote, disaster-prone, and developing. The North American region remains the largest market for solar containers, driven by a strong emphasis on renewable energy adoption. Asia-Pacific is emerging as the fastest-growing region, fueled by rapid urbanization and energy needs in developing countries. The residential segment continues to. The global mobile solar container market is experiencing robust growth, driven by increasing demand for off-grid and temporary power solutions across diverse sectors. The market, estimated at \$2 billion in 2025, is projected to expand at a Compound Annual Growth Rate (CAGR) of 15% from 2025 to. Solar Container Market size was valued at USD 1.5 Billion in 2024 and is projected to reach USD 5.2 Billion by 2033, exhibiting a CAGR of 15.5% from 2026 to 2033. The Solar Container Market is an emerging segment within the renewable energy sector, characterized by the integration of solar. In the evolving landscape of sustainable energy solutions, solar containers are emerging as innovative units capable of transforming the way we harness solar power. As we approach the year 2025, experts in the field are increasingly advocating for the integration of solar containers in both urban.



Development trend and necessity of solar container construction

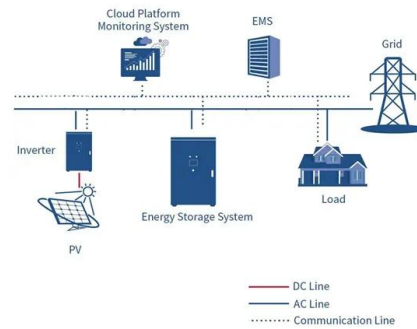


Solar Container Market Size, Market Assessment & Forecast 2033

The Solar Container Market is an emerging segment within the renewable energy sector, characterized by the integration of solar technology into portable, modular containers. These containers serve a ...

Solar Container Market Size, Share, Trends , Report 2035

The North American region remains the largest market for solar containers, driven by a strong emphasis on renewable energy adoption. Asia-Pacific is emerging as the fastest-growing region, fueled by ...



Solar Container Market: Trends, Drivers, and Future Outlook

In summary, the solar container market is maturing from niche to mainstream. Although high upfront cost remains a barrier, the benefits of flexibility, modularity, and sustainability are driving ...

The Advantages and Applications of Solar Power Containers

The solar power container stands at the intersection of portability, sustainability, and technological innovation. It offers a smart, reliable, and eco-friendly alternative to ...



traditional off-grid ...



Sustainable Solutions: Why Shipping Containers Are the Future of Eco

Discover why shipping containers are revolutionizing eco-friendly construction. This article explores the environmental benefits, cost-effectiveness, and versatility of using shipping ...

Overview of Modular Design Strategy of the Shipping Container

In this article, we analyse the advantages of applying shipping container architecture in cold regions, such as shortening the construction cycle, saving construction materials, reducing ...



Emerging trends in sustainable building materials: Technological

This study rigorously assesses the latest advancements in sustainable building materials, focusing on their classification, innovative production tech...



Solar Container Market Size, Share and Growth Drivers 2030

The global solar container market is expected to grow from USD 0.29 billion in 2025 to USD 0.83 million by 2030, at a CAGR of 23.8% during the forecast period. Growth is driven by the rising adoption of ...



Solar Container Market Size, Market Assessment & Forecast 2033

Discover comprehensive analysis on the Solar Container Market, expected to grow from USD 1.5 billion in 2024 to USD 5.2 billion by 2033 at a CAGR of 15.5%. Uncover critical growth factors, market ...

Why Shipping Containers Are the Future of Modular ...

Discover how shipping containers are revolutionizing modular construction with their sustainability, cost-effectiveness, durability, and design flexibility. Learn why ...



LFP12V100



Solar Container Market By Size, Share, Growth and Forecast 2030

Solar containers offer an attractive alternative to conventional fossil-fuel-based systems by providing a self-sustaining, eco-friendly source of power that requires minimal maintenance and has low ...



UNLOCKING OFF-GRID POWER: THE ULTIMATE GUIDE TO SOLAR ...

Understanding Solar Energy Containers Solar energy containers encapsulate cutting-edge technology designed to capture and convert sunlight into usable electricity, particularly in ...



Mobile Solar Container Report 2025: Growth Driven by Government

Discover the booming mobile solar container market! This comprehensive analysis reveals a projected \$7 billion market by 2033, driven by renewable energy adoption, off-grid power needs, ...

Application of solar PV in the building sector: Prospects and barriers

When it comes to the application of solar energy in buildings, photovoltaic (PV) has been by far the most versatile and successful technology. Small and building-related applications have ...



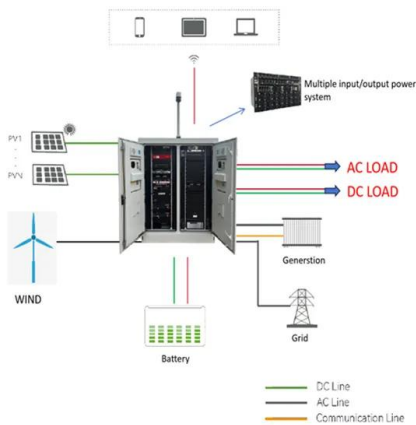
Mobile Solar Container Report 2025: Growth Driven by Government

The global mobile solar container market is experiencing robust growth, driven by increasing demand for off-grid and temporary power solutions across diverse sectors. The market, ...



Solar container Market: trends & opportunities 2035

Portable Solar Containers are gaining traction for their flexibility and ease of deployment, particularly in remote or disaster-affected areas. Fixed Solar Containers are preferred for permanent installations, ...



Solar Containers is a portable energy revolution for all uses

What Is a Shipping Container with Solar Panels? Solar shipping container condenses it all into electricity production and energy storage in a 40-foot or 20-foot shipping container, plug-and ...

How to Use Solar Containers for Sustainable Energy Solutions in 2025

As we delve deeper into the capabilities and potential applications of solar containers, it becomes clear that they are not merely a trend but a fundamental shift in how we can harness solar energy for a ...



Modular Housing Crafted from Repurposed Shipping Containers with

Built from repurposed shipping containers, this modular housing solution integrates renewable solar energy systems and adaptable layouts, providing efficient and sustainable living spaces for urban ...



Solar Container Market Insights: Industry Development and Projected

Overall, the Solar Container Market is poised for growth across these diverse regions, with local policies, market dynamics, and environmental trends shaping its trajectory.

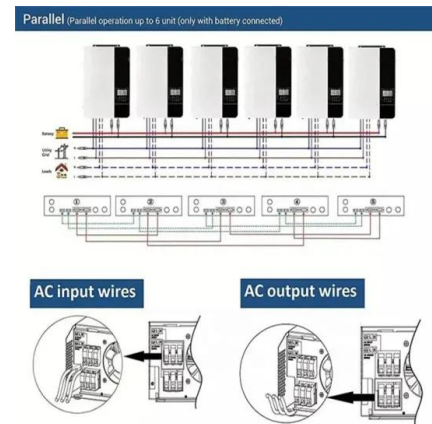


Why Shipping Containers Are a Hot Trend for 2025

Explore why shipping containers are a hot trend for 2025. Discover innovative uses, sustainability benefits, and design inspirations that make shipping containers a popular choice for various projects ...

The Future of Solar Energy , MIT Energy Initiative

The Future of Solar Energy considers only the two widely recognized classes of technologies for converting solar energy into electricity -- photovoltaics (PV) ...



The Future Of Construction: Why Sustainability Is A Hot Topic

Looking Beyond The construction industry's shift towards sustainability is not just a trend but a fundamental change in how buildings are designed, constructed, and operated.

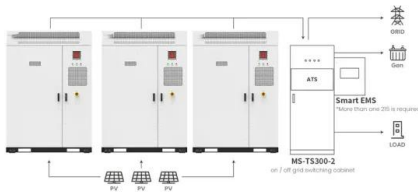


Container Building Detailing, Construction and Thermal Analysis

Another global trend that is impacting the construction industry is the push towards environmentally friendly construction. The obsession with sustainability is largely focused on reducing CO2 ...



**2MW / 5MWh
Customizable**



Application scenarios of energy storage battery products

Solar energy technology and its roles in sustainable development

Both technologies, applications of concentrated solar power or solar photovoltaics, are always under continuous development to fulfil our energy needs. Hence, a large installed capacity of ...

Contact Us

For catalog requests, pricing, or partnerships, please visit:
<https://crossworldtours.co.za>